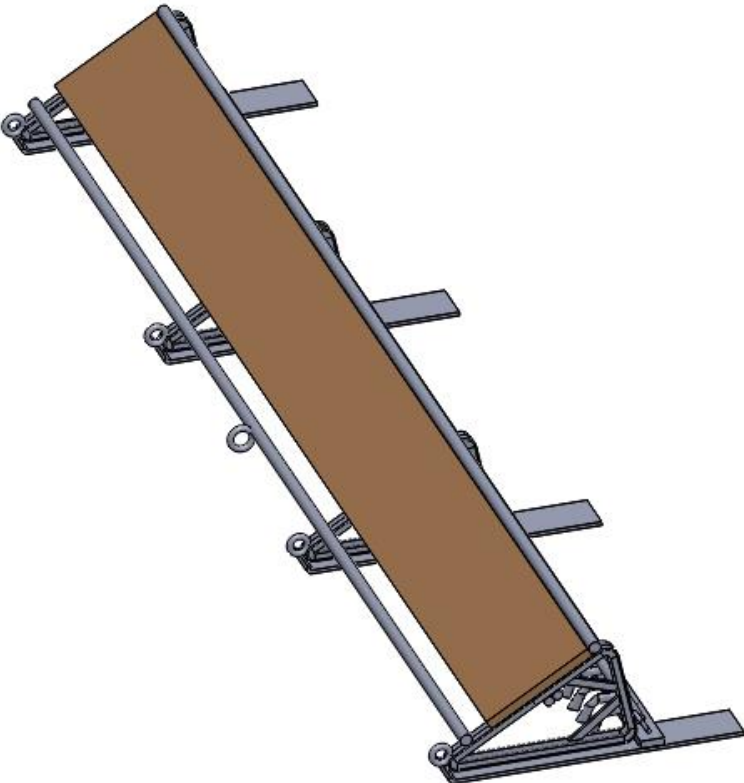
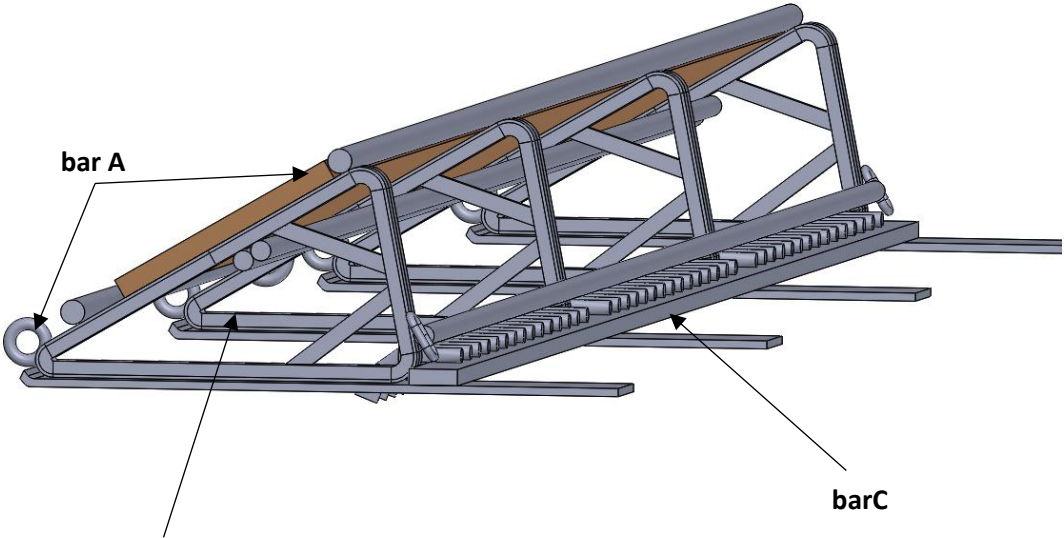


**ANNEX I - Technical specifications of rampon trawl used in PRIZEFISH survey.**

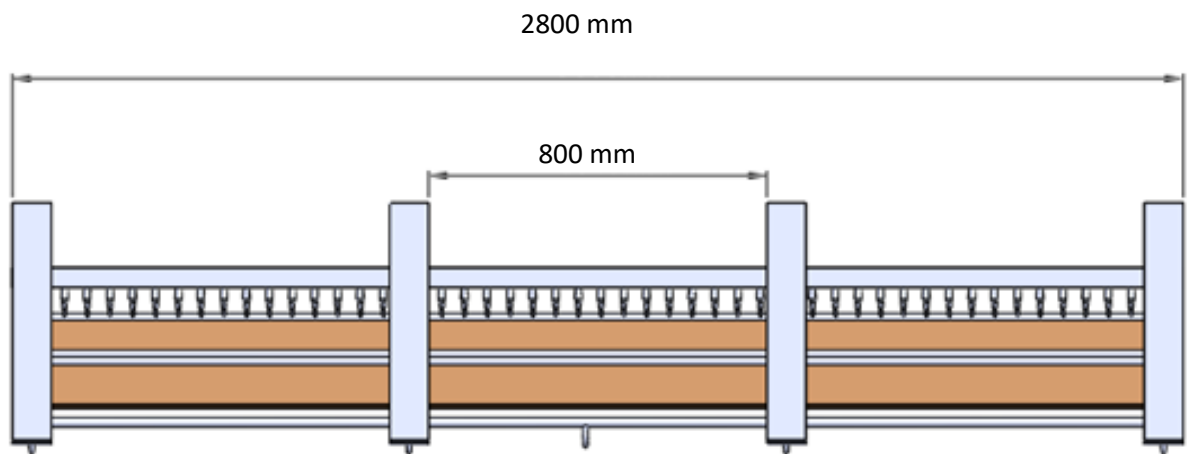


Rampon trawl frame scheme upside (Author: Emilio Notti).



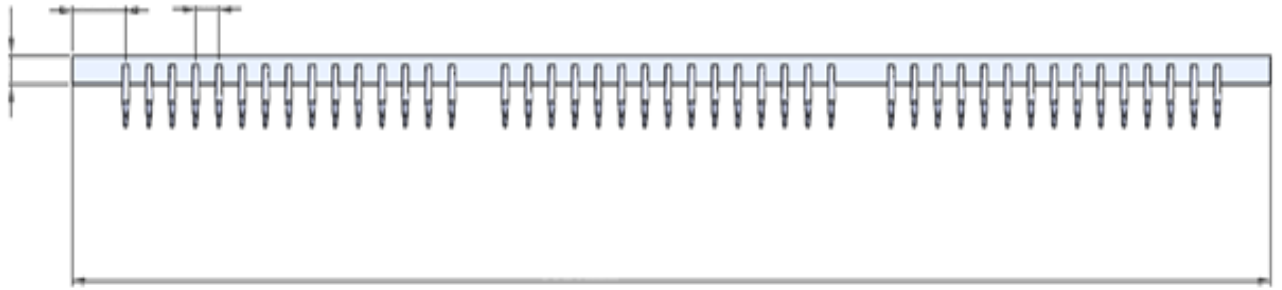
**barB**

Rampon trawl frame scheme lateral-back side. Bottom surface of central sledges 1 cm over the lateral sledges (Author: Emilio Notti).

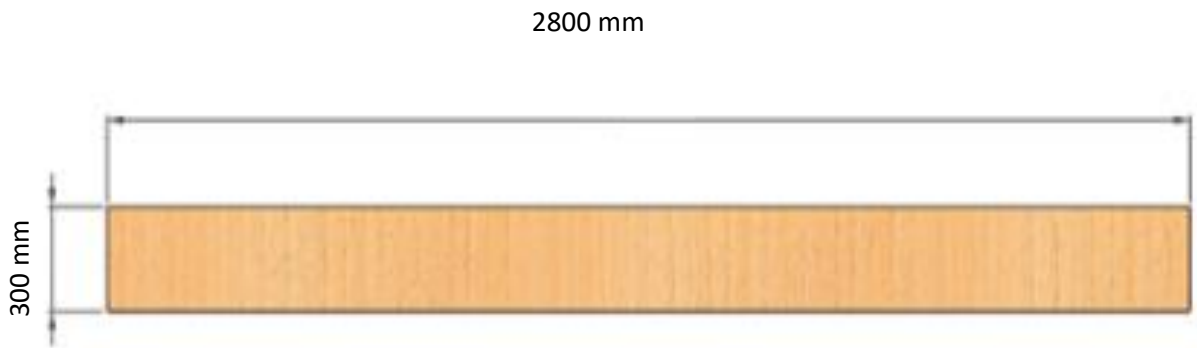


Rampon trawl frame scheme. View from the bottom (Image courtesy of Emilio Notti).

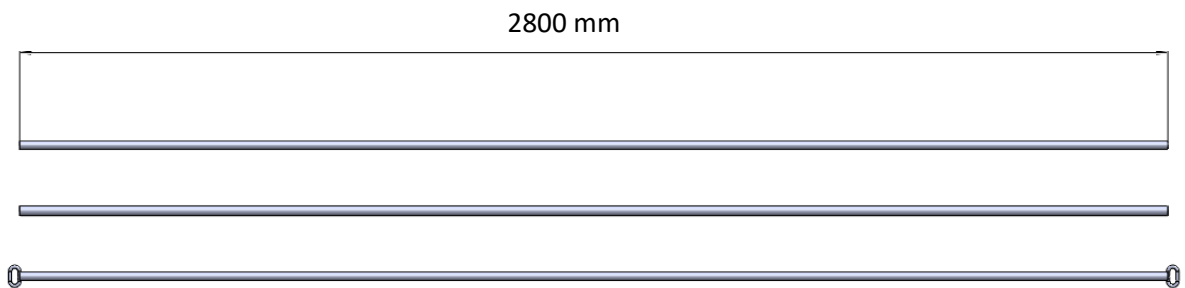
60 mm  
100 mm 50 mm



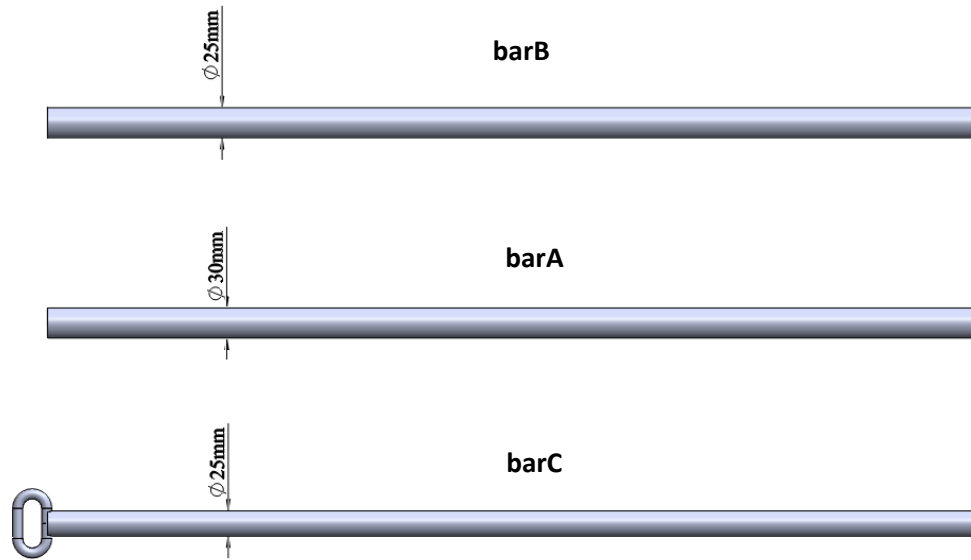
Rampon trawl blade. View from above: 3 rows of teeth, 15 teeth per row (Image courtesy of Emilio Notti).



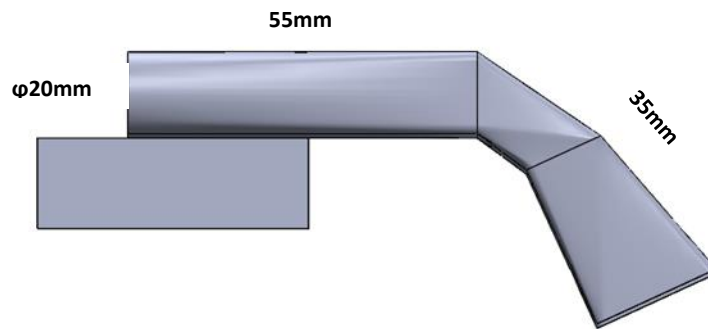
Rampon trawl deflector (20 mm height) (Image courtesy of Emilio Notti).



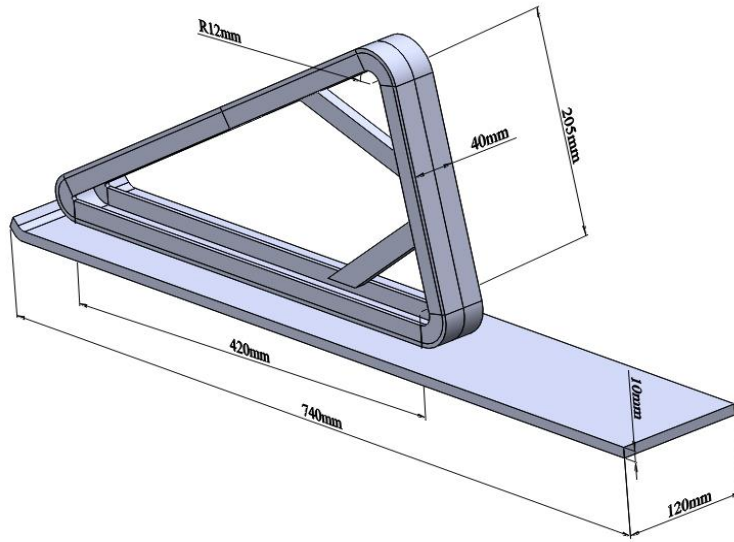
Rampon trawl. Bar length (Image courtesy of Emilio Notti).



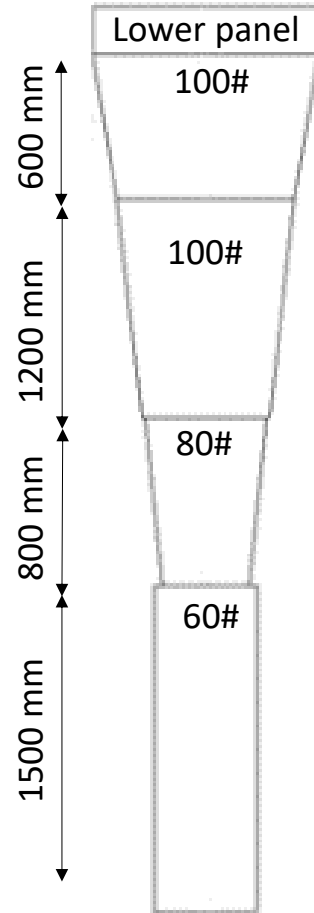
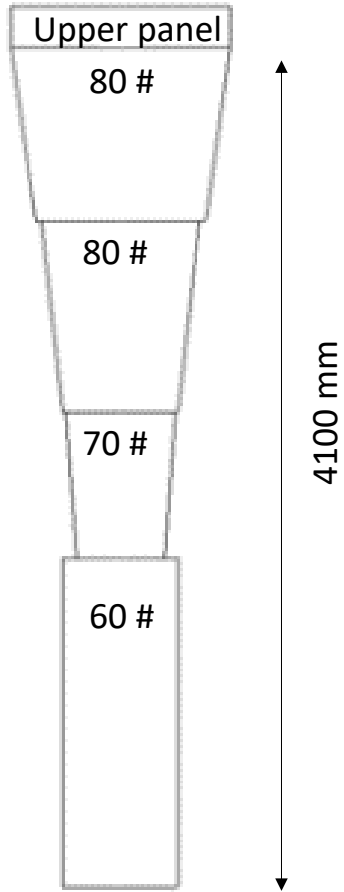
Rampon trawl. Bar diameter (Image courtesy of Emilio Notti).



Rampon trawl blade. Lateral view. Square end of the knife 1 cm below the undersurface of the sledge (Image courtesy of Emilio Notti).



Rampon trawl. Sledge dimensions (Image courtesy of Emilio Notti).



Rampon trawl net (# = stretched mesh size in mm)